

MM1209 SERIES ~ Wire Wound Chip Common Mode Choke



FEATURES

1. Cut off frequency in differential mode is 8 to 10GHz .
2. Excellent solder ability and resistance to soldering heat .
3. Suitable for flow and reflow soldering .
4. Good dimensions , high reliability and easy surface mount assembly .
5. Operating temperature range from -40°C to +105°C .

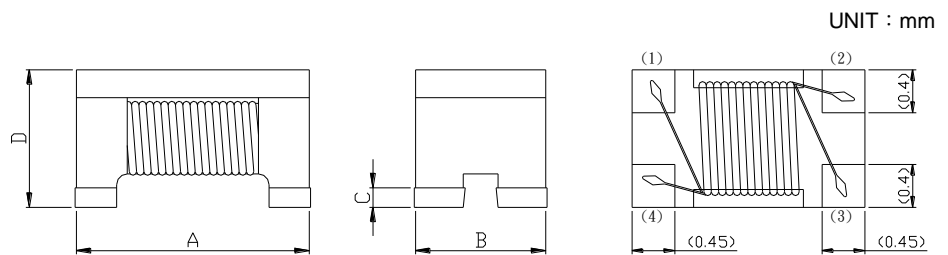
APPLICATIONS

1. Suitable for super high speed differential signal such as USB3.0 , HDMI .

PART NUMBERING SYSTEM

MM	1 2 0 9	—	9 0 0	—	L F
TYPE	DIMENSIONS		IMPEDANCE		LEAD FREE

SHAPES AND DIMENSIONS



A=1.2±0.2 B=1.0±0.2 C=0.4Max. D=0.9 Max.

SPECIFICATION TABLE

PART NUMBER	IMPEDANCE at 100MHz (Ω)	RATED CURRENT (mA)	DCR (Ω) (Max)	RATED VOLTAGE (Vdc)	INSULATION RESISTANCE (MΩ)	Cut-Off Freq. (GHz)
MM1209-600-LF	60Typ.(43 Min.)	300	0.40	20	100 min.	10 Typ.
MM1209-900-LF	90Typ. (65Min.)	280	0.50	20	100 min.	8 Typ.

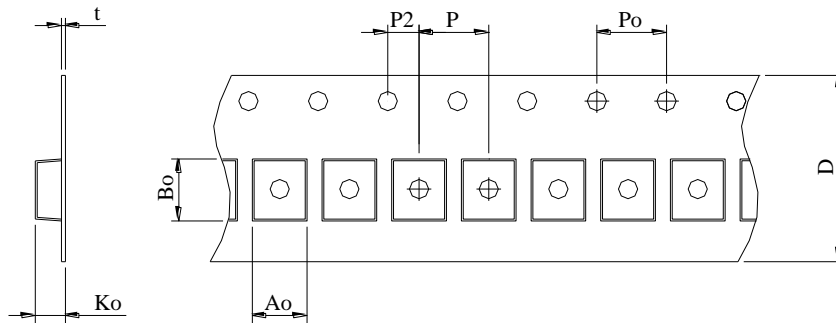
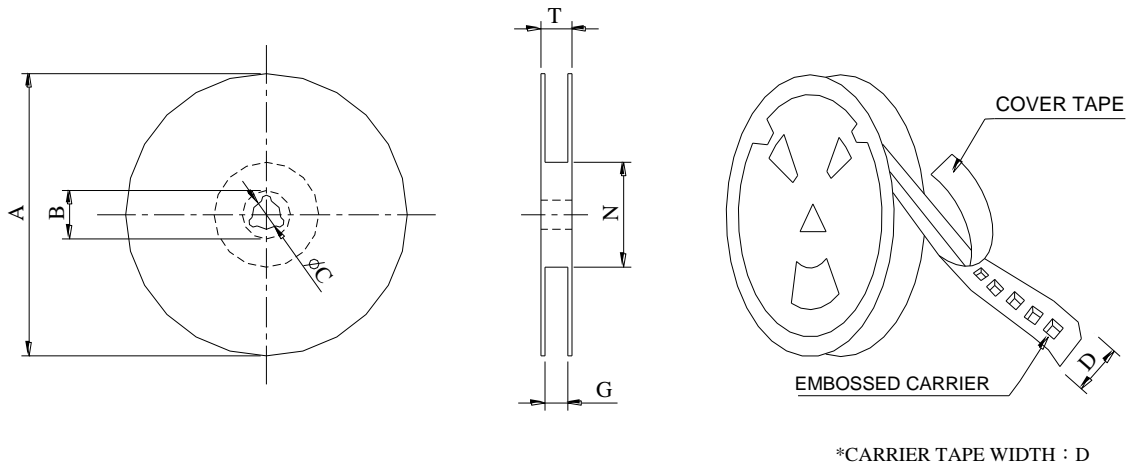
Impedance is measured in HP4287A at frequency of 100MHz.



MM1209 SERIES ~ Wire Wound Chip Common Mode Choke



PACKAGING SPECIFICATION



SERIES	STAYLE	Q'TY (PCS)	DIMENSIONS (m/m)								
			A	Ao	Bo	Ko	t	N	P	Po	D
MM1209	178	3000	178	1.16±0.1	1.41±0.1	0.98±0.1	0.23	60	4	4	8.0±0.3